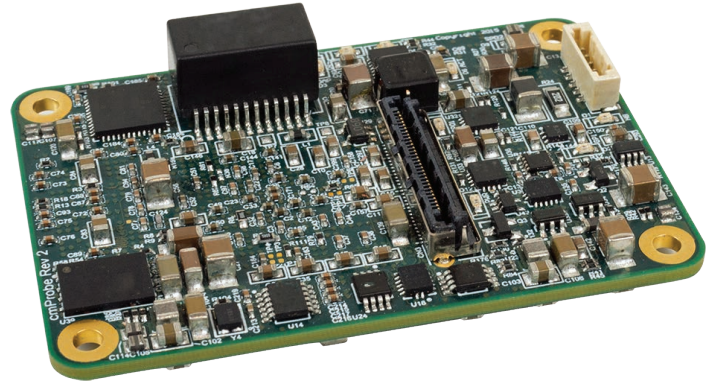


Controller Master Probe

High Speed ECU-to-PC Measurement and Calibration Interface

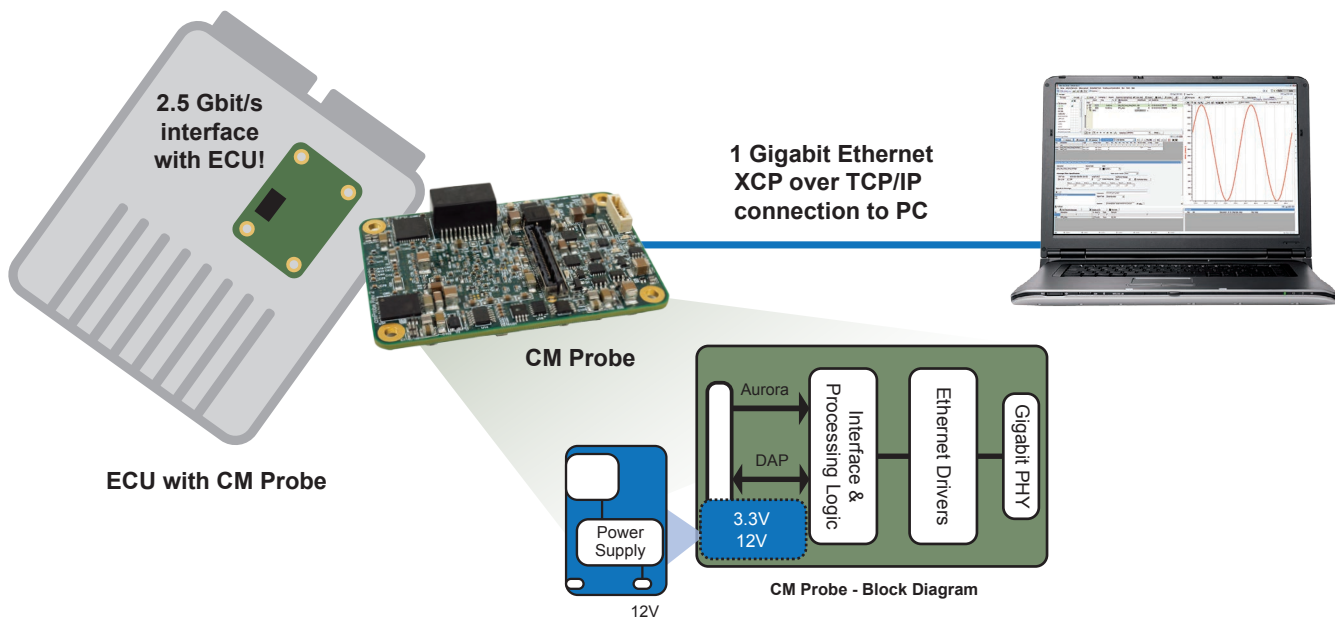
Feature Overview:

- Application similar to INCA xETK and ATI A7/M6 hardware
- 2.5 Gbit/s trace interface with ECU
- Capable of logging 64,000 two byte measurement signals every 10 msec!!
- Measurement data throughput up to 120Mbyte/sec
- Record direct memory addresses on ECU not just those shared between modules over CAN
- 1 Gigabit Ethernet XCP over TCP/IP connection to PC
- Real time switching among calibration memory pages
- Supports Infineon TriCore AURIX TC2xx/TC3xx microcontrollers
- Requires little to no additional CPU processing time
- Compatible with major calibration tools like ETAS INCA, ATI Vision, DiagraX, Vehicle Spy, and Vector CANape



Specifications:

- Measurement interface over AGBT/Aurora port on Infineon TriCore Aurix processor
- Calibration interface to ECU over DAP2
- Up to 2Mbytes of calibration space
- 22 pin Samtec cable for DAP2 and Aurora traces
- Temperature range -40° to 105°C
- Galvanic isolated interface to the PC
- Power supply input range 4.5-36V
- Dimensions: 60 x 40 x 15 mm (2.36 x 1.57 x 0.59") - same mount pattern as ETAS xETK



Please Contact Intrepid for Ordering Information

Specifications subject to change; please contact Intrepid for the latest information. All trademarks are the property of their respective owners.

Rev. 20200616



INTREPID
CONTROL SYSTEMS
www.intrepidcs.com

1850 Research Drive
Troy, MI 48083 USA
Phone: +1 (586) 731-7950
Fax: +1 (586) 731-2274



www.aeta-rice.com