

neoECU 12

Low-Cost Embedded ECU with CAN FD

Real-Time Real Fast ECU Development

Need a scriptable, low-cost node for CAN / CAN FD, and LIN? The neoECU 12 includes two CAN / CAN FD channels, LIN, analog In, PWM outputs and digital I/O. The node runs the Vehicle Spy CoreMini engine for easy setup.

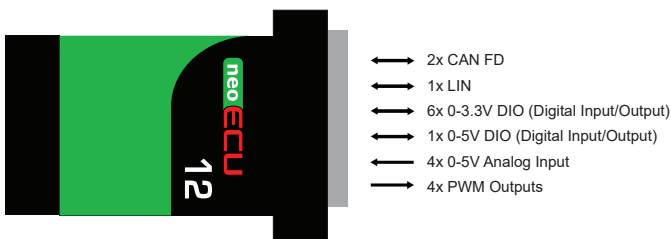
Applications:

- Gateway nodes
- Try out new algorithms early in the design process
- Simulate a real ECU environment with dozens of low cost nodes
- Integrate into ECU load or ECU test boxes to make them intelligent
- Create custom test instruments
- Convert CAN or LIN signals to analog and vice versa



Features:

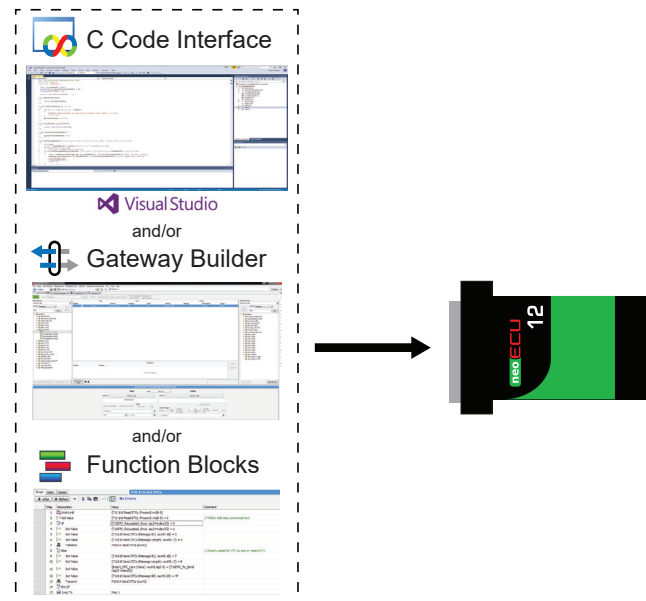
- Two CAN / CAN FD channels configurable for SW CAN, LSFT CAN, and DW CAN
- 1 LIN channel
- 6 0-3.3V DIO (Digital Input/Output)
- 1 0-5V DIO (Digital Input/Output)
- 4 0-5V analog inputs channels
- 5 programmable tri-color LEDs
- 4 programmable internal Buttons
- 5 PWM outputs
- Use CoreMini scripting engine to run standalone scripts
- Power management: Full-shutdown sleep



DB25 Male Pin Connector Pin Out

Pin	Description	Pin	Description
1	SW CAN 1	14	HS CAN 1 H LSFT CAN 2 H SW CAN 2
2	HARD START	15	HS CAN 1 L LSFT CAN 2 L
3	LSFT CAN 1 H	16	HS CAN 2 H
4	LSFT CAN 1 L	17	HS CAN 2 L
5	MISC DIO 1	18	MISC DIO 3
6	MISC DIO 2	19	MISC DIO 4
7	MISC DIO 7	20	MISC DIO 5
8	LIN 1	21	MISC DIO 6
9	NC	22	AIN 3
10	AIN 1	23	AIN 4
11	AIN 2	24	RESET
12	NC	25	VBATT
13	GND		

Built into Vehicle Spy



INTREPID
CONTROL SYSTEMS
www.intrepidcs.com

1850 Research Drive
Troy, MI 48083 USA
Phone: +1 (586) 731-7950
Fax: +1 (586) 731-2274



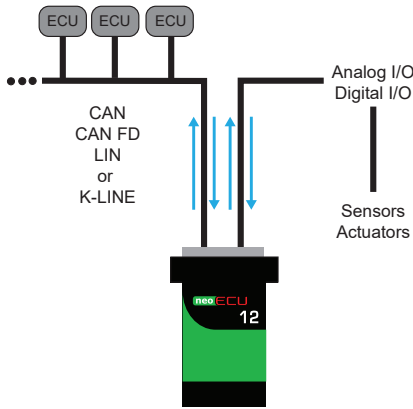
www.aeta-rice.com

neoECU 12

Scripting and Automation: The neoECU 12 is well-equipped for integration into a vehicle or test bench with its full featured scripting engine controlling 2 CAN FD channels and 7 digital input/output channels.

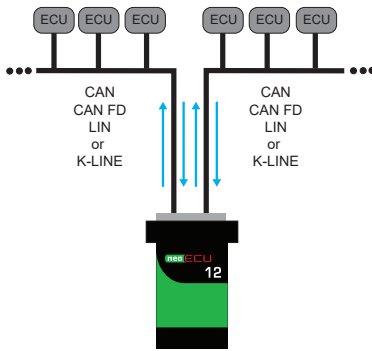
Function Blocks: Enable users to easily set up automated tasks and simulate nodes and ECUs without relying on a complicated, text-based computer language.

The C Code Interface: Guides you through building a C Project in Microsoft Visual C. This interface allows you access to anything accessible through Visual C. Imagine being able to access security DLL files, external hardware, or the Win32API, and interface that information with your networks. The possibilities are endless!



neoECU 12 as an Analog/Digital Gateway

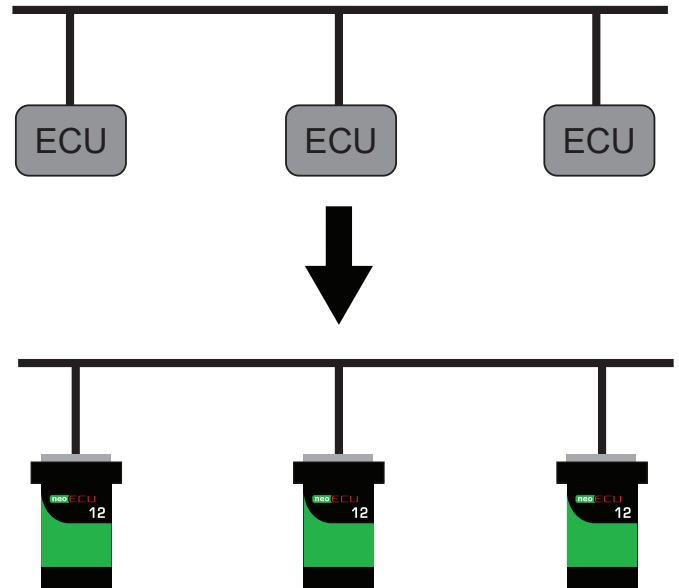
To program the neoECU 12 via CAN, one full Vehicle Spy license and a neoVI or ValueCAN is required. Contact ICS for more details and for specific configurations.



neoECU 12 as a Gateway

Gateway

The neoECU 12 can act as a bus adapter to transfer messages from incompatible buses. Using Vehicle Spy Gateway Builder allows you simply drag and drop one vehicle network to another network. Such as; Dual Wire CAN or Single Wire CAN to LIN, CAN to CAN, CAN to LIN, CAN to CAN FD, etc.



neoECU 12 as a node/ECU Simulator

Ordering Information

Part Number	Description
NEOECU-12	Low-Cost Embedded ECU with CAN FD

Specifications subject to change; please contact Intrepid for the latest information.

Rev. 20200616



INTREPID
CONTROL SYSTEMS
www.intrepidcs.com

1850 Research Drive
Troy, MI 48083 USA
Phone: +1 (586) 731-7950
Fax: +1 (586) 731-2274



www.aeta-rice.com